

# ASX

# QUICK GUIDE



**MITSUBISHI  
MOTORS**



## A few tips to get you started!

### Contents

|    |                                                 |
|----|-------------------------------------------------|
| 2. | A few tips to get you started                   |
| 3. | Starting the Vehicle                            |
| 4. | Around the Centre Console                       |
| 5. | Around the Steering Wheel                       |
| 6. | Around the Steering Wheel                       |
| 7. | Smartphone Link Display (SDA) Screen's Overview |
| 8. | SDA Connections and Quick Tips                  |
| 9. | Advanced Safety Systems                         |

This quick guide has been prepared to help you enjoy safe and comfortable driving.

This quick guide is a short version of the owner's manual. For more details, please refer to the owner's manual.

This quick guide covers a range of specifications and manufacturer's options, so some of the descriptions may not apply to your ASX model.

## Congratulations on purchasing your new **ASX!** Here are a few important things you need to know:

1. Your vehicle takes 91 unleaded fuel, available at any service station.
2. Your first service is at 1,500km or within one month. But don't worry if you forget, we'll be in contact to remind you!
3. Only have your ASX serviced by a recognised Mitsubishi Motors dealer, for a list of dealers visit [mmnz.co.nz/find-a-dealer/](http://mmnz.co.nz/find-a-dealer/)

Wherever your road takes you, we'll be right there with you. It's part of our commitment to ensuring you enjoy complete driving pleasure. Nothing demonstrates this commitment better than our unique Diamond Advantage package.

Mitsubishi's Diamond Advantage combines our 10-year or 160,000km (whichever occurs first) Powertrain Warranty\*, a 5-year or 130,000km (whichever occurs first) new vehicle warranty\* and 5-years roadside assist, to cover you in the unlikely event of a breakdown\*.

\*Please refer to your warranty booklet for full terms and conditions.



**10** | **5**  
YEAR | YEAR  
**DIAMOND  
ADVANTAGE**

## Starting the Vehicle

### For Push-button start vehicles:

The keyless operation system allows you to lock and unlock the doors and tailgate, start the engine and change the operation mode simply by carrying the keyless operation key with you.

- Step 1** Make sure the parking brake is applied
- Step 2** Press and hold the brake pedal down firmly
- Step 3** Make sure the selector lever is in the "P" (PARK) position
- Step 4** Press the start/stop engine switch
- Step 5** Make certain that all warning lamps are functioning properly

### For vehicles with ignition key

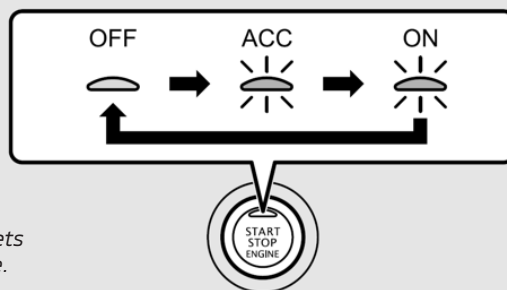
- Step 1** Make sure the parking brake is applied
- Step 2** Press and hold the brake pedal down firmly
- Step 3** Make sure the selector lever is in the "P" (PARK) position
- Step 4** Rotate the key to the "START" position
- Step 5** Make certain that all warning lamps are functioning properly

### ACC Mode:

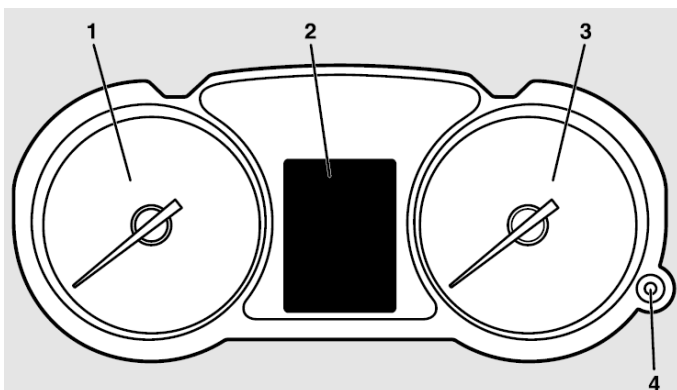
ACC mode allows electrical devices such as the audio and accessory sockets to operate. The indicator lamp on the engine switch will illuminate orange.

You can put the vehicle in ACC mode from "OFF" by pushing the Start/Stop engine button once without your foot on the brake pedal.

To put the vehicle in ACC mode from "ON", press the ignition switch while the gear shift lever is in Neutral.



## Instrument Cluster



1. Tachometer
2. Multi-information Display
3. Speedometer
4. Meter illumination control

## Multi-information Meter Switch



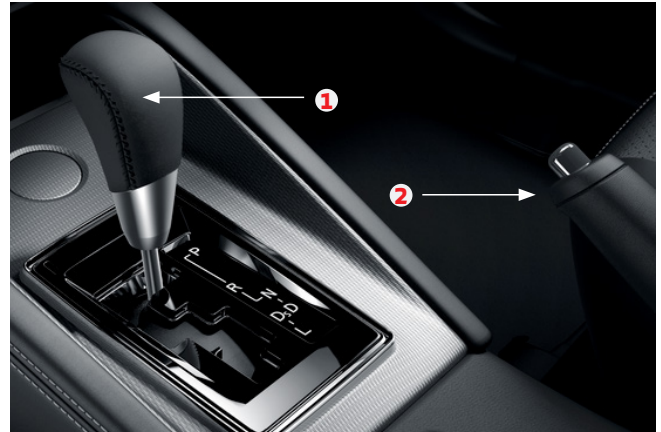
Each time the multi-information meter switch (info button) is operated, a sound is emitted and the multi-information display changes between information such as warnings, tripmeter, service reminder, average and momentary fuel consumption, driving range, and average speed.

It is also possible to change elements such as the language and units used on the multi-information display by operating the multi-information meter switch.

# Around the Centre Console

## 01 Selector Lever - P, R, N, D, Ds, L

|                                     |                                                                                                                  |
|-------------------------------------|------------------------------------------------------------------------------------------------------------------|
| P (Park)                            | Locks the transmission to prevent the vehicle from moving                                                        |
| R (Reverse) :                       | The vehicle moves in reverse.                                                                                    |
| N (Neutral) :                       | No drive is transmitted to the wheels, which are not locked either.                                              |
| D (Drive) :                         | The vehicle moves forward.                                                                                       |
| Ds (Downshift and Sporty Driving) : | Use when engine braking is needed, or for high-powered sport drive. *                                            |
| L (Low) :                           | This position is for driving up very steep hills and engine braking at low speeds when driving down steep hills. |



- Select position you chose is illuminated on the multi-information display.
- \* Only available on models without shift paddles

## 02 Parking Brake

Pull the lever to lock the wheels when you are parking your vehicle.

## Heated Seats\*

The front heated seats can be operated when the vehicle is ON. There are 3 settings for the heated seats (HI, OFF and LOW)

|     |                                    |
|-----|------------------------------------|
| HI  | Heater high (for quick heating)    |
| OFF | Heater off                         |
| LOW | Heater low (to keep the seat warm) |



## Air Conditioning (AC)

- A - Temperature control dial
- B - Air selection switch (press)
- C - Blower speed selection dial
- D - Air conditioning switch (press)
- E - Mode selection dial
- F - Rear window demister switch (press)



\*if so equipped



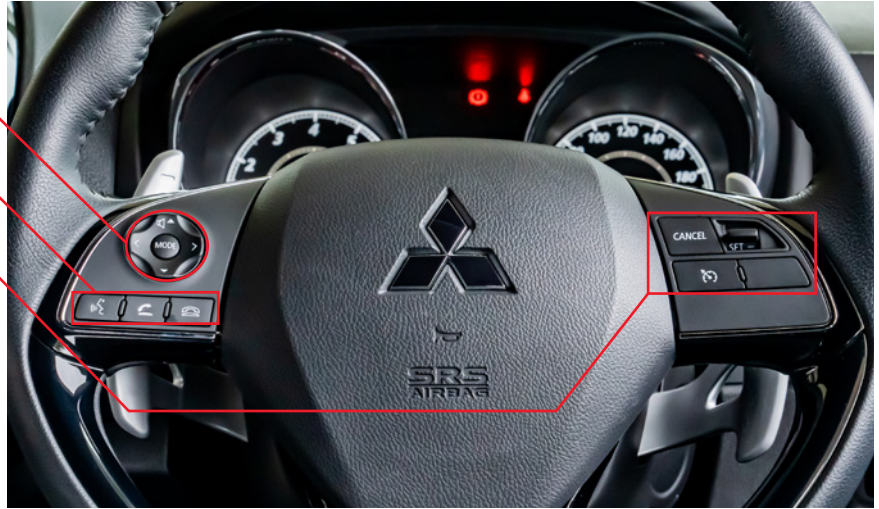
## Around the Steering Wheel

Audio Controls

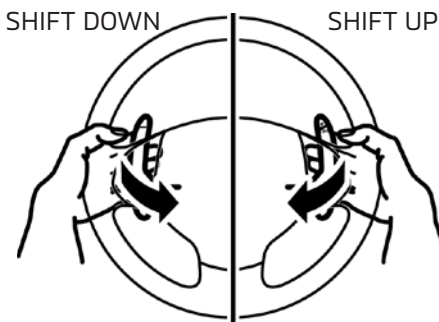
Handsfree Phone Controls

Cruise Control \*

\* To activate cruise control press the cruise control on/off switch (lower left) once. Adjust the desired speed by pushing the toggle switch up (increase) or down (decrease). To deactivate cruise control, press the cancel switch (top left) or the on/off switch once again. Using the foot brake will also stop cruise control.



### Shift Paddles\*



You can use the shift paddles to manually adjust the gear ratio of the vehicle

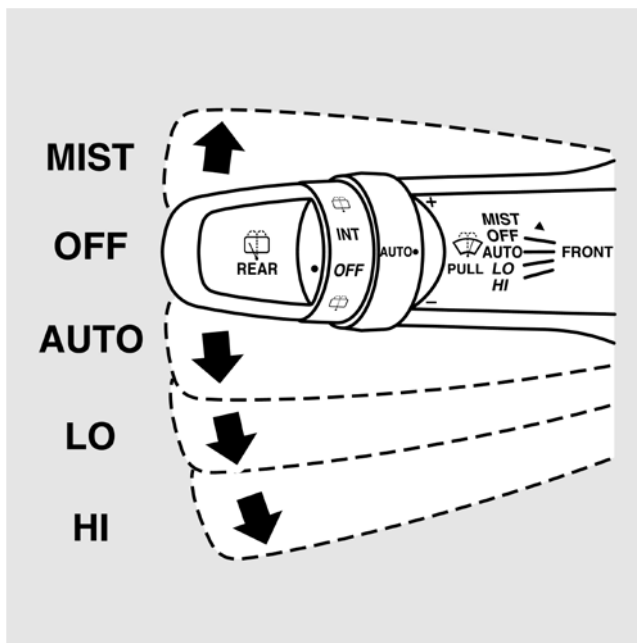
+ (Shift Up) - The transmission shifts up one gear by each operation

- (Shift Down) - The transmission shifts down one gear by each operation

To return to D (Drive) pull the + (Shift Up) shift paddle for 2 seconds

### Windscreen Wipers

Rotate the stalk to change the windscreen wiper function



|      |    |                                                                                                                                                |
|------|----|------------------------------------------------------------------------------------------------------------------------------------------------|
| MIST | ↑  | <b>Misting function</b><br>The wipers will operate once.                                                                                       |
| OFF  | •  | <b>Off</b>                                                                                                                                     |
| AUTO | ↓  | <b>Auto-wiper control</b><br><b>Rain sensor</b><br>The wipers will automatically operate depending on the degree of wetness on the windscreen. |
| LO   | ↓  | <b>Slow</b>                                                                                                                                    |
| Hi   | ↓↓ | <b>Fast</b>                                                                                                                                    |

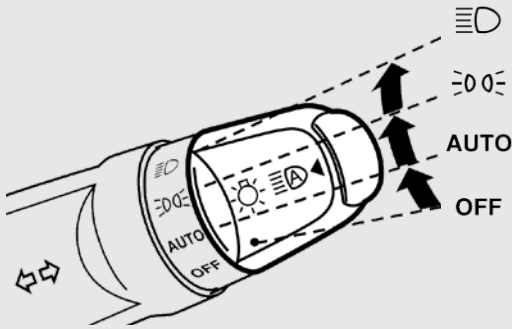
**Quick Tip:** You can adjust the sensitivity of the windscreen wipers when it is in "AUTO" by rotating the "AUTO" ring.

\*if so equipped

# Around the Steering Wheel

## Headlamps

Rotate the stalk to turn on the lamps



The angle of the headlamp beam varies depending upon the load carried by the vehicle. You can adjust this angle by using the headlamp leveling switch.

|      |                                                                                                                                                                                                                                                                                                                              |
|------|------------------------------------------------------------------------------------------------------------------------------------------------------------------------------------------------------------------------------------------------------------------------------------------------------------------------------|
| OFF  | All lamps off                                                                                                                                                                                                                                                                                                                |
| AUTO | When the ignition switch or the operating mode is ON, headlamps, position, tail, licence plate, and instrument panel lamps turn on and off automatically in accordance with outside light level. All lamps turn off automatically when the ignition switch is turned to "LOCK" position or the operation mode is put in OFF. |
|      | Position, tail, licence plate and instrument panel lamps on                                                                                                                                                                                                                                                                  |
|      | Headlamps and other lamps go on                                                                                                                                                                                                                                                                                              |
|      | Auto High Beam (AHB) - The AHB switches between the headlamp beams (high/low) when the sensor senses light from a vehicle in front, an oncoming vehicle or street lamps. For the AHB to operate, the headlamp position must be switched to the  or "AUTO" when the engine is running. *                                      |

### Other Buttons:

(located to the right hand side of the steering wheel)

- A - Blind Spot Warning\*
- B - SONAR Parking Sensors\*
- C - Forward Collision Mitigation\*
- D - Lane Departure Warning \*



### Parking Sensors Button (SONAR)\*

The parking sensors can be turned on or off by pressing the "SONAR" button (B) once. When the indicator lamp on the SONAR button is on, the system is activated. If an obstacle is within the vicinity of the parking sensors, a warning will be issued on the multi-information display and a warning buzzer will sound.



\*if so equipped



# Smartphone Link Display Audio (SDA) Screen Overview



## Home Screen

1. Multimedia
2. Phone
3. Settings
4. Info
5. Apps/Android Auto/Apple CarPlay



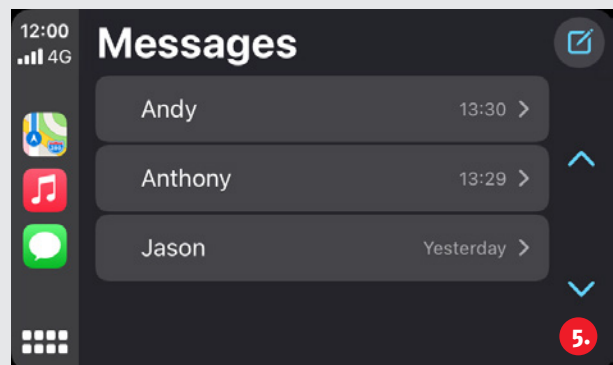
Allows playback using radio or various other media



Allows you to check version information or the various "help" screens



Connecting your mobile phone with Bluetooth lets you use the hands-free phone system



Apple CarPlay/Android Auto can be used by connecting a compatible phone via a USB cable



Changes the settings such as sound control, Bluetooth connections and volume

For further information on the various SDA screens, refer to your SDA Owners Manual



## SDA Connections and Quick Tips

### How to connect a compatible smartphone via Bluetooth?

1. Display the "settings" menu on the SDA screen
2. Tap "Bluetooth"
3. Tap "Device Management"
4. Select the search icon and follow on screen instructions

### How to make a call when phone is connected via Bluetooth

1. Press the "phone" key
2. Select either "call history", "contacts" or "telephone keypad"
3. Press on the contact you wish to call or enter a phone number then select "dial"

### How to select a Bluetooth device once connected?

1. Display the "settings" menu on the SDA screen
2. Tap "Bluetooth"
3. Tap "Device Management"
4. Tap the name of the device you want to connect to by either selecting the phone icon (for hands-free phone access) or the media icon (for Bluetooth audio access)

### Apple CarPlay/Android Auto

Plug in your compatible Apple or Android phone via USB and follow the on screen instructions selecting either:



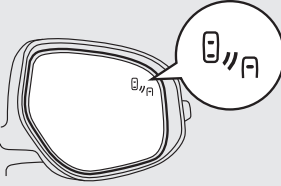
1. Enable this time – this will enable Apple CarPlay/Android Auto for one time then will ask again the next time
2. Always enable – this will enable Apple CarPlay/Android Auto each time your phone is connected

Quick Tip: In the "Bluetooth" screen, you can connect one phone to Bluetooth music and one phone to Handsfree phone by selecting the media/phone icon on the SDA screen for the two different Bluetooth connections.





## Advanced Safety Systems

| Advanced Safety System                                                                                                                          | Description                                                                                                                                                                                                                                                                                                                                                                                                                                                                                                                                                                                                                                       | How to adjust/ turn system on/off                                                                                                                                                                                             |
|-------------------------------------------------------------------------------------------------------------------------------------------------|---------------------------------------------------------------------------------------------------------------------------------------------------------------------------------------------------------------------------------------------------------------------------------------------------------------------------------------------------------------------------------------------------------------------------------------------------------------------------------------------------------------------------------------------------------------------------------------------------------------------------------------------------|-------------------------------------------------------------------------------------------------------------------------------------------------------------------------------------------------------------------------------|
| <p><b>Forward Collision Mitigation (FCM)*</b></p>              | <p>When your vehicle is approaching a vehicle or a pedestrian straight-ahead in your path and the FCM judges that there is the risk of a collision, the system will give audible and visual warnings, increases the brake fluid, and also provides braking force assistance when you depress the brake pedal to avoid frontal collision.</p> <p>When the risk of collision increases more, the system causes the brakes to work moderately to encourage you to apply brakes. If the system judges that a potential collision is imminent, it initiates emergency braking to mitigate collision-caused damages or to avoid possible collision.</p> | <p>Press and hold the FCM button to the right of the steering wheel to turn the system ON/OFF.</p> <p>The FCM system can also be adjusted by pressing the FCM button once to cycle through the sensitivity of the system.</p> |
| <p><b>Lane Departure Warning (LDW)*</b></p>                  | <p>When your vehicle is likely to drift from its lane, an audible alarm sounds and a visual alarm is displayed on the information screen of the multi-information display.</p>                                                                                                                                                                                                                                                                                                                                                                                                                                                                    | <p>To turn off LDW, press the LDW button once – The LDW icon on the multi-information display will be removed. To turn the system back on, press the button again.</p>                                                        |
| <p><b>Blind Spot Warning (with Lane Change Assist)*</b></p>  | <p>The Blind Spot Warning (BSW) is a driving aid system that alerts the driver when another vehicle which may not be visible through the outside rear-view mirror is travelling in the next lane behind your vehicle.</p> <p>When a vehicle in the next lane is travelling at same speed or faster in the detection areas, the BSW lamp in the corresponding outside rear-view mirror will illuminate. If the turn signal lever is operated to the side where the BSW lamp is illuminated, the BSW lamp will blink and the system will beep 3 times to alert the driver.</p>                                                                      | <p>To turn off BSW, press the BSW button once – The BSW icon on the multi-information display will be removed. To turn the system back on, press the button again.</p>                                                        |
| <p><b>Rear Cross Traffic Alert*</b></p>                                                                                                         | <p>The Rear Cross Traffic Alert (RCTA) is an aid system for backing up. When the RCTA system detects vehicles approaching from the sides while your vehicle is reversing, the Blind Spot Warning lamps in the outside rearview mirrors on both sides will blink and a buzzer will sound to alert the driver.</p>                                                                                                                                                                                                                                                                                                                                  | <p>The RCTA system will be turned on/off when the Blind Spot Warning (with Lane Change Assist) system is turned on/off.</p>                                                                                                   |

(\*if so equipped)

[www.mmnz.co.nz](http://www.mmnz.co.nz)

02/2023

